

1

2

3

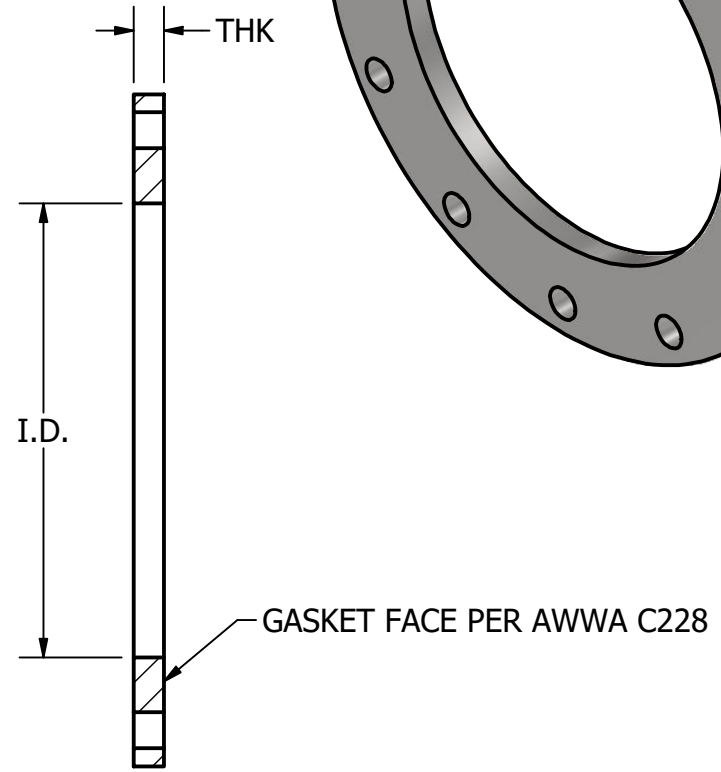
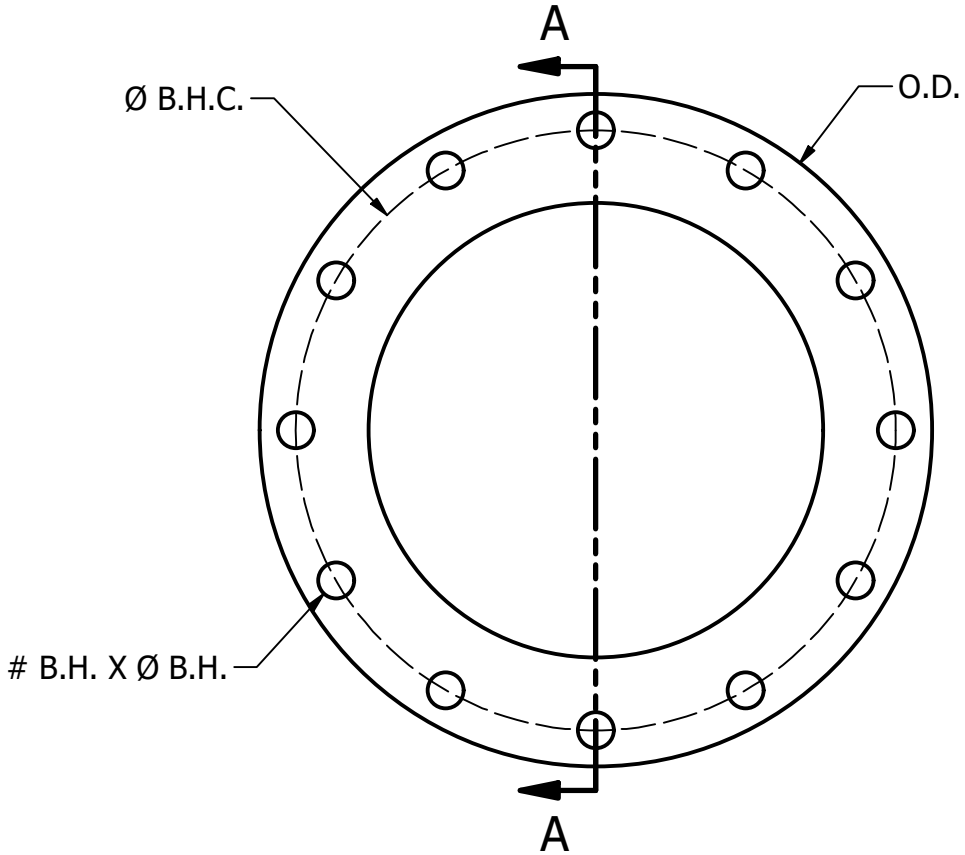
4

A

B

A

B



SECTION A-A

TYPE: AWWA C228 CLASS SD SLIP-ON/RING

SIZES: 4" - 72"

MATERIAL: STAINLESS STEEL PER AWWA C228

FOR REFERENCE PURPOSES ONLY

PROPERTY OF API INTERNATIONAL.
THE DRAWING VIEWS DO NOT REFLECT
THE FULL PRODUCT LINE CONFIGURATION.
THE DRAWING DEPICTS API INT. PF1400-D
TO REPRESENT A GENERIC FLANGE.



12505 SW HERMAN ROAD
TUALATIN OR, 97062
PH: (503) 692-3800

1

2

3

4

4