

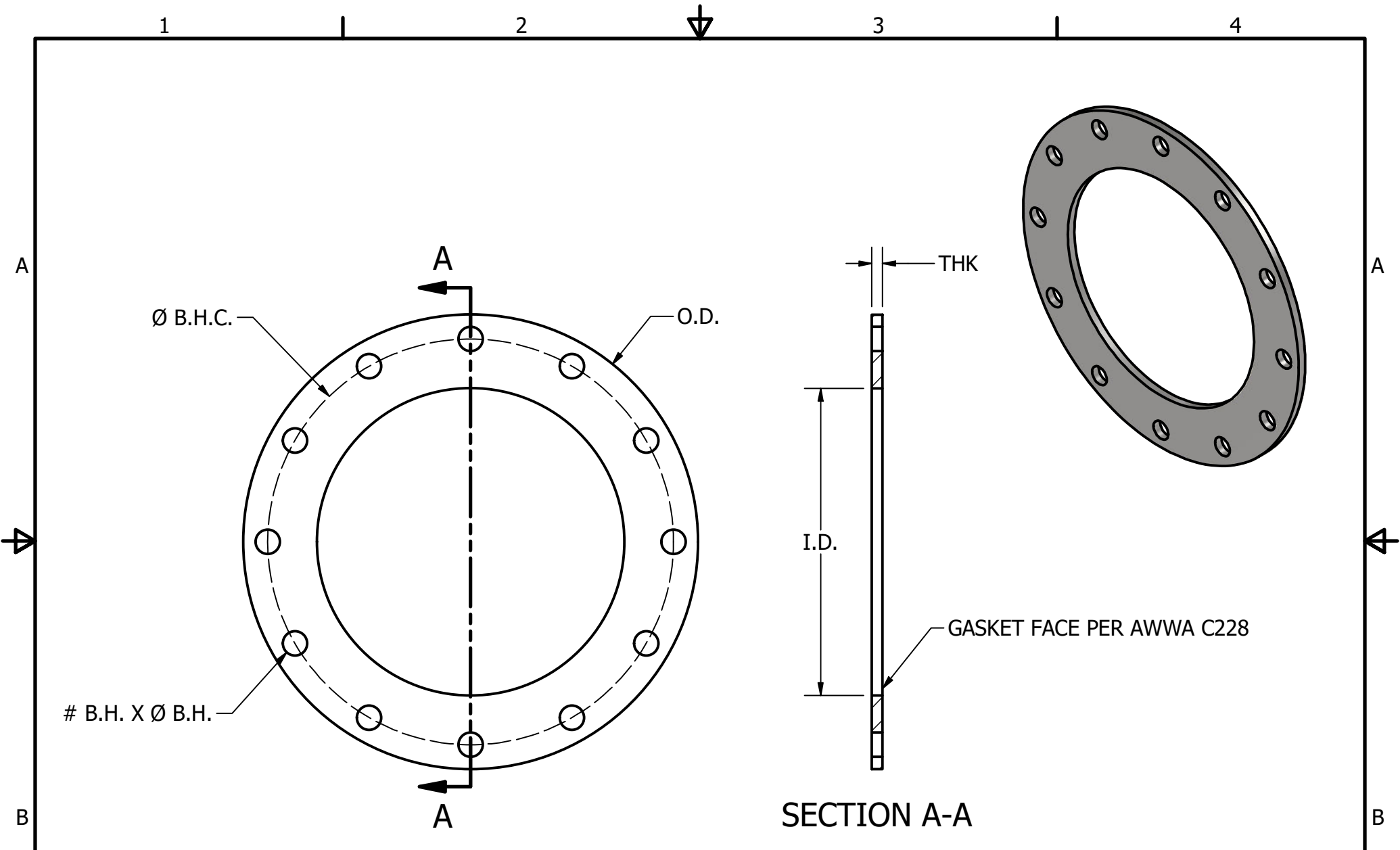
SECTION A-A

TYPE: LIGHTWEIGHT 1/2" OD TUBE SLIP-ON/RING	
SIZES: 1/2" - 12"	
MATERIAL: STAINLESS STEEL	

FOR REFERENCE PURPOSES ONLY

PROPERTY OF API INTERNATIONAL.
 THE DRAWING VIEWS DO NOT REFLECT
 THE FULL PRODUCT LINE CONFIGURATION.
 THE DRAWING DEPICTS API INT. PF1400-D
 TO REPRESENT A GENERIC FLANGE.

api INTERNATIONAL
 12505 SW HERMAN ROAD
 TUALATIN OR, 97062
 PH: (503) 692-3800



TYPE: LIGHTWEIGHT 1/2" IPS SLIP-ON/RING

SIZES: 1/2" - 48"

MATERIAL: STAINLESS STEEL

FOR REFERENCE PURPOSES ONLY

PROPERTY OF API INTERNATIONAL.
 THE DRAWING VIEWS DO NOT REFLECT
 THE FULL PRODUCT LINE CONFIGURATION.
 THE DRAWING DEPICTS API INT. PF1400-D
 TO REPRESENT A GENERIC FLANGE.

api INTERNATIONAL 12505 SW HERMAN ROAD
 TUALATIN OR, 97062
 PH: (503) 692-3800