

Valves & Accessories



Wafer Style Butterfly Valves

PART NUMBER STRUCTURE

Part Number Section	Options
Type	BVG = Gear Operated Butterfly Valve BVL = Lever Operated Butterfly Valve
Size	XXXX = Size in inches going out 2 decimal places
Disc Material	NPDI = Nickel Plated Ductile Iron
Seat Material	BN = NBR

FEATURES

- Operator flange conforms to ISO 5211. Designed to work with manual, pneumatic or electric actuators.
- The rubber seat is non-collapsible, stretch resistant, and blowout proof.
- The precision machined disc ensures low operating torque and effective sealing up to 200 psi. The hydro-dynamically designed disc allows for high capacity flow.
- One piece shaft design ensures dependability and positive disc positioning.
- Valves are epoxy coated and incorporate “zerk” style grease fittings for easy lubrication on neck & gearbox (if applicable).

MATERIALS

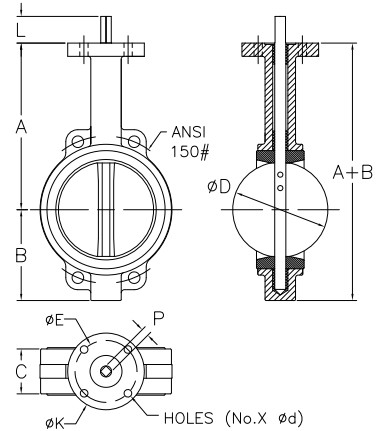
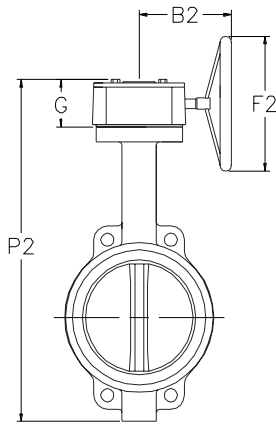
Part	Material
Body	Epoxy Coated Cast Iron
Disc	Nickel Plated Ductile Iron
Shaft	400 Series Stainless
Seat	NBR
Pin	Stainless Steel

OPERATING CONDITIONS

Nominal Size		2 - 12	14 - 28
Working Pressure		200 psi	150 psi
Test Pressure	Shell	300 psi	300 psi
	Seat	220 psi	170 psi
Working Temp.	NBR Seat	25° - 190°F	25° - 190°F

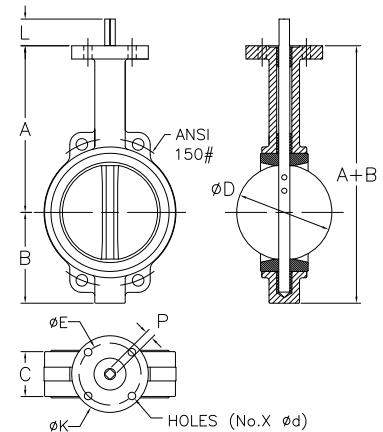
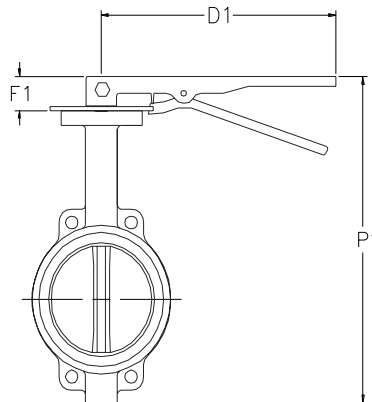
Notes:

- Disc materials is also available in Aluminum Bronze and Stainless Steel (may be subject to minimum order quantity)
- Seat is available in other materials including EPDM (may be subject to minimum order quantity)
- Shorter levers are available for sizes 6" to 12".



WAFER STYLE BUTTERFLY VALVE - GEAR OPERATOR

API Part Number	Size	A	B	A + B	C	ØE	ØK	L	P	Holes (No. x Ød)	B2	G	P2	F2
BVG0200-NPDI-BN	2	5.56	2.70	8.26	1.65	1.97	3.03	1.18	0.354	4 x 0.276	6.06	2.52	10.78	5.91
BVG0250-NPDI-BN	2.5	5.92	2.99	8.91	1.75	1.97	3.03	1.18	0.354	4 x 0.276	6.06	2.52	11.43	5.91
BVG0300-NPDI-BN	3	6.16	3.88	10.04	1.75	1.97	3.03	1.18	0.354	4 x 0.276	6.06	2.52	12.56	5.91
BVG0400-NPDI-BN	4	6.61	4.68	11.29	2.01	2.76	3.54	1.18	0.433	4 x 0.394	6.06	2.52	13.81	5.91
BVG0500-NPDI-BN	5	7.34	5.09	12.44	2.15	2.76	3.54	1.18	0.551	4 x 0.394	6.06	2.52	14.96	5.91
BVG0600-NPDI-BN	6	8.10	5.59	13.69	2.15	2.76	3.54	1.18	0.551	4 x 0.394	6.06	2.52	16.21	5.91
BVG0800-NPDI-BN	8	9.08	6.93	16.01	2.35	4.02	4.92	1.34	0.669	4 x 0.472	8.82	2.91	18.92	11.22
BVG1000-NPDI-BN	10	10.63	8.22	18.85	2.64	4.02	4.92	1.34	0.866	4 x 0.472	8.82	2.91	21.76	11.22
BVG1200-NPDI-BN	12	12.91	9.78	22.69	2.97	4.02	4.92	1.34	0.866	4 x 0.472	8.46	2.95	25.64	11.22
BVG1400-NPDI-BN	14	14.49	10.51	25.00	2.99	4.02	5.51	1.77	0.866	4 x 0.472	8.27	5.04	30.04	11.22
BVG1600-NPDI-BN	16	15.75	12.44	28.19	4.02	5.51	7.76	2.05	0.945	4 x 0.709	10.16	5.04	33.23	11.22
BVG1800-NPDI-BN	18	16.61	13.15	29.76	4.49	5.51	7.76	2.05	1.063	4 x 0.709	10.16	5.04	34.80	11.22
BVG2000-NPDI-BN	20	18.90	14.56	33.46	5.00	5.51	7.76	2.52	1.417	4 x 0.709	11.22	5.04	38.50	15.16
BVG2400-NPDI-BN	24	22.13	18.42	40.55	5.94	6.50	10.86	2.76	1.417	4 x 0.906	11.22	5.51	46.85	15.16
BVG2800-NPDI-BN	28	24.63	20.50	45.13	6.50	10.00	11.81	3.74	2.490	8 x 0.709	14.13	6.22	51.38	16.75



WAFER STYLE BUTTERFLY VALVE - LEVER OPERATOR

API Part Number	Size	A	B	A + B	C	ØE	ØK	L	P	Holes (No. x Ød)	P1	D1	F1
BVLO200-NPDI-BN	2	5.56	2.70	8.26	1.65	1.97	3.03	1.18	0.354	4 x 0.276	9.44	10.47	1.18
BVLO250-NPDI-BN	2.5	5.92	2.99	8.91	1.75	1.97	3.03	1.18	0.354	4 x 0.276	10.09	10.47	1.18
BVLO300-NPDI-BN	3	6.16	3.88	10.04	1.75	1.97	3.03	1.18	0.354	4 x 0.276	11.22	10.47	1.18
BVLO400-NPDI-BN	4	6.61	4.68	11.29	2.01	2.76	3.54	1.18	0.433	4 x 0.394	12.47	10.47	1.18
BVLO500-NPDI-BN	5	7.34	5.09	12.44	2.15	2.76	3.54	1.18	0.551	4 x 0.394	13.62	10.47	1.18
BVLO600-NPDI-BN	6	8.10	5.59	13.69	2.15	2.76	3.54	1.18	0.551	4 x 0.394	14.87	10.47	1.18
BVLO800-NPDI-BN	8	9.08	6.93	16.01	2.35	4.02	4.92	1.34	0.669	4 x 0.472	17.35	14.17	1.34
BVL1000-NPDI-BN	10	10.63	8.22	18.85	2.64	4.02	4.92	1.34	0.866	4 x 0.472	20.19	14.17	1.34
BVL1200-NPDI-BN	12	12.91	9.78	22.69	3.03	4.02	4.92	1.34	0.866	4 x 0.472	24.03	19.69	1.34

ALL DIMENSIONS ARE IN INCHES UNLESS OTHERWISE STATED.

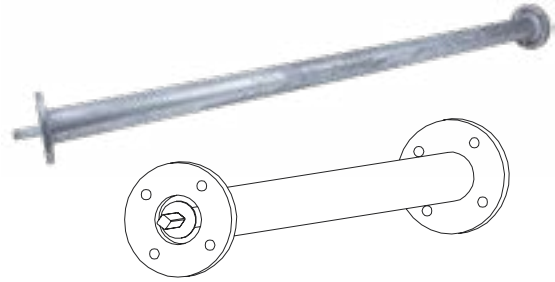
DC# 0723

CALL: 1-800-523-0852 FAX: 503-692-4343 VISIT: www.apiint.com

Valve Extensions (For Butterfly Valves)

FEATURES

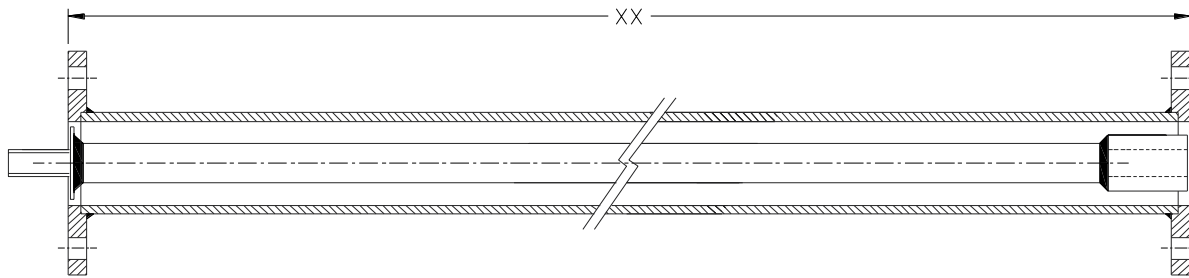
- Valve extensions can be used for underground service or in riser systems to enable easier access for opening and shutting butterfly valves.
- Galvanized steel for excellent corrosion resistance.



ALL DIMENSIONS ARE IN INCHES UNLESS OTHERWISE STATED.

COMPLETE SET INFORMATION (VE-D):

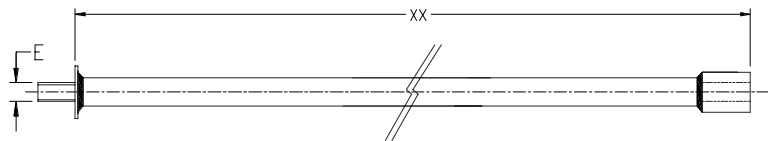
Complete Set Part Number	Valve/Extension Size	Extension Shaft Part Number	Extension Housing Part Number
VE0400D-XX	4	VEIS4D-XX	VEHS-XX
VE0500D-XX	5	VEIS56D-XX	VEHS-XX
VE0600D-XX	6	VEIS56D-XX	VEHS-XX
VE0800D-XX	8	VEIS8D-XX	VEHL-XX
VE1000D-XX	10	VEIS1012D-XX	VEHL-XX
VE1200D-XX	12	VEIS1012D-XX	VEHL-XX



Note: "XX" = Length of Valve Extension (36",48", or 72")

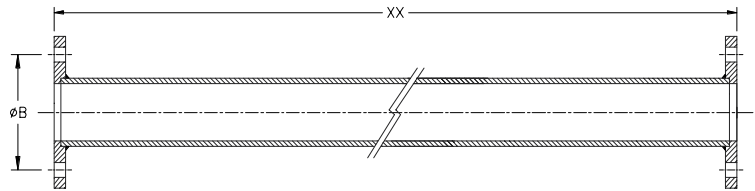
Shaft Information (VEIS-D)

Housing Part Number	Size	Diagonal Head Size (E)
VEIS4D-XX	4	0.433
VEIS56D-XX	5	0.551
VEIS56D-XX	6	0.551
VEIS8D-XX	8	0.669
VEIS1012D-XX	10	0.866
VEIS1012D-XX	12	0.866



Housing Information (VEH)

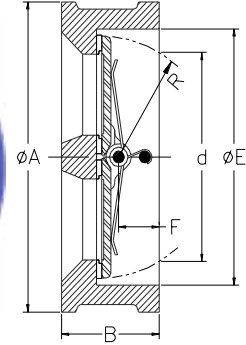
Housing Part Number	Size	Bolt Circle Diameter (Øb)
VEHS-XX	4	2.76
VEHS-XX	5	2.76
VEHS-XX	6	2.76
VEHL-XX	8	4.02
VEHL-XX	10	4.02
VEHL-XX	12	4.02



Double Door Check Valves

FEATURES

- Small, lightweight, and easy to maintain.
- Two torsion springs close valve plates quickly and automatically.
- Quick spring action prevents back-flow, eliminates water hammering, and provides minimal head loss.
- Valve can be installed vertically or horizontally.
- Applications include HVAC, compressed air; Water supply and discharge; Irrigation and reclaim water; Process water.



ALL DIMENSIONS ARE IN INCHES UNLESS OTHERWISE STATED.

DIMENSIONS

API Part Number	Size	B	ØE	ØA	Approximate Weight lbs
CV0200-XXXX-EP	2	1.70	2.56	4.13	3.3
CV0250-XXXX-EP	2.5	1.81	3.15	4.80	5.3
CV0300-XXXX-EP	3	2.52	3.70	5.38	7.9
CV0400-XXXX-EP	4	2.52	4.61	6.90	12.6
CV0500-XXXX-EP	5	2.76	5.71	7.75	16.1
CV0600-XXXX-EP	6	2.99	6.69	8.75	19.8
CV0800-XXXX-EP	8	3.50	8.82	11.00	37.5
CV1000-XXXX-EP	10	4.49	10.43	13.38	57.3
CV1200-XXXX-EP	12	4.49	12.20	16.13	92.6
CV1400-XXXX-EP	14	5.00	14.17	17.50	121.3
CV1600-XXXX-EP	16	5.51	16.14	20.25	165.3
CV1800-XXXX-EP	18	5.98	17.72	21.50	225.0
CV2000-XXXX-EP	20	5.98	19.88	23.78	236.0
CV2400-XXXX-EP	24	7.01	24.57	28.25	365.0

PART NUMBER STRUCTURE

Part Number Section	Options
Type	CV = Check Valve
Size	XXXX = Size in inches going out 2 decimal places
Disc Material *Denoted with "XXXX"	NPDI = Nickel Plated Ductile Iron 304 = 304 Stainless Steel
Seat Material	EP = EPDM

OPERATING CONDITIONS

Nominal Size	2 - 18		20 - 24	
	Working Pressure	200 psi		150 psi
Test Pressure	Shell	300 psi	225 psi	
	Seat	220 psi	168 psi	
Working Temp.	EPDM Seat	10° - 250° F	10° - 250° F	

Notes:

- Not for use in Oil & Gas industries.
- Valve seat is available in other materials including Neoprene and NBR (may be subject to minimum order quantity)

MATERIALS

Part	Material
Body	Cast Iron - ASTM A126 Cl. B
Disc	Nickel Plated Ductile Iron or 304 Stainless Steel
Hinge Pin	Stainless Steel
Stop Pin	Stainless Steel
Spring	Stainless Steel
Seat	EPDM
Shaft end Plug	Mild/Carbon Steel
Finish	Epoxy Coated - Blue

REPLACEMENT SPRING KITS

API Part Number	DESCRIPTION
CVK0400	4" KIT (1 SHAFT; 2 SPRINGS)
CVK0600	6" KIT (1 SHAFT; 2 SPRINGS)
CVK0800	8" KIT (1 SHAFT; 2 SPRINGS)
CVK1000	10" KIT (1 SHAFT; 2 SPRINGS)
CVK1200	12" KIT (1 SHAFT; 2 SPRINGS)
CVK1400	14" KIT (1 SHAFT; 2 SPRINGS)
CVK1600	16" KIT (1 SHAFT; 2 SPRINGS)

DC# 0723

PRV Series - Pressure Relief Valves

USES

- PRV series pressure relief valves are suitable for most aluminum sprinklers and higher pressure plastic pipe.

FEATURES

- Constructed from high strength aluminum castings with stainless steel shaft, tempered steel spring, and nonsticking Teflon seal and bushings.
- Dependable, top spring design (out of flow) assures longer & more accurate operation.
- Valves can be ordered factory set and sealed under actual hydrostatic conditions, or shipped for final field adjustment.
- End connection is with standard Female pipe threads.



ALL DIMENSIONS ARE IN INCHES UNLESS OTHERWISE STATED.

RATINGS / CAPACITIES

API Part Number	Size	Pressure Relief Settings Range	Body	Shaft	Spring	No.
PRV0200-L	2	22 - 50 psi	Aluminum	Stainless Steel	Tempered Steel	1
PRV0200-S	2	40 - 120 psi	Aluminum	Stainless Steel	Tempered Steel	1
PRV0300-L	3	22 - 40 psi	Aluminum	Stainless Steel	Tempered Steel	1
PRV0300-S	3	40 - 100 psi	Aluminum	Stainless Steel	Tempered Steel	1
PRV0300-H	3	101 - 150 psi	Aluminum	Stainless Steel	Tempered Steel	2
PRV0400-L	4	40 - 60 psi	Aluminum	Stainless Steel	Tempered Steel	1
PRV0400-S	4	70 - 110 psi	Aluminum	Stainless Steel	Tempered Steel	2
PRV0400-H	4	81 - 150 psi	Steel	Stainless Steel	Tempered Steel	2

PART NUMBER STRUCTURE

Part Number Section	Options
Type	PRV = Pressure Relieve Valve
Size	XXXX = Size in inches going out 2 decimal places
Pressure Rating	L = Low S = Standard H = High
Pressure Setting	XXX = Pressure setting in PSI

*Please contact API Sales for additional pressure ratings.