

# Valves & Accessories



# Wafer Style Butterfly Valves

## PART NUMBER STRUCTURE

Part Number Section	Options
Type	BVG = Gear Operated Butterfly Valve BVL = Lever Operated Butterfly Valve
Size	XXXX = Size in inches going out 2 decimal places
Disc Material	NPDI = Nickel Plated Ductile Iron
Seat Material	BN = NBR

## FEATURES

- Operator flange conforms to ISO 5211. Designed to work with manual, pneumatic or electric actuators. The rubber seat is non-collapsible, stretch resistant, and blowout proof.
- The precision machined disc ensures low operating torque and effective sealing up to 200 psi. The hydro-dynamically designed disc allows for high capacity flow.
- One piece shaft design ensures dependability and positive disc positioning.
- Valves are epoxy coated and incorporate “zerk” style grease fittings for easy lubrication on neck & gearbox (if applicable).

## MATERIALS

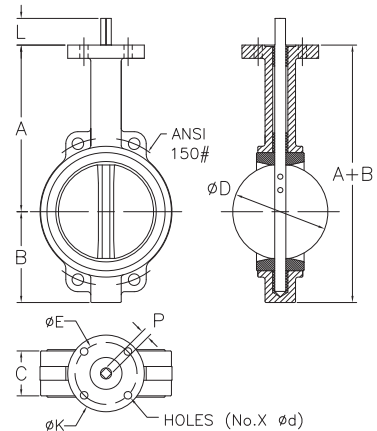
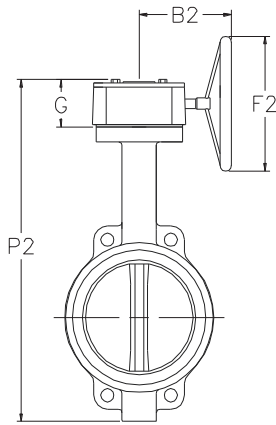
Part	Material
Body	Epoxy Coated Cast Iron
Disc	Nickel Plated Ductile Iron
Shaft	400 Series Stainless
Seat	NBR
Pin	Stainless Steel

## OPERATING CONDITIONS

Nominal Size		2 - 12	14 - 28
Operating Pressure		200 psi	150 psi
Test Pressure	Shell	300 psi	300 psi
	Seat	220 psi	170 psi
Working Temp.	NBR Seat	25° - 190°F	25° - 190°F

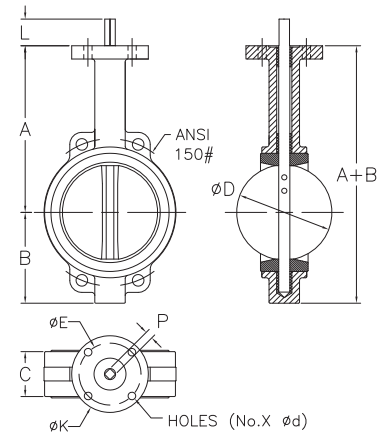
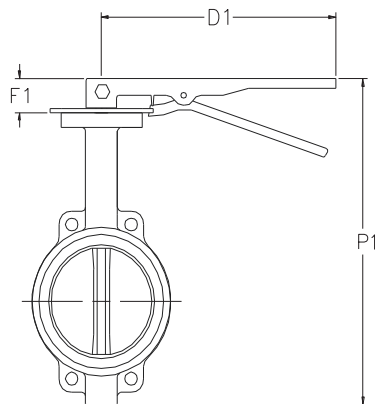
Notes:

- Disc materials is also available in Aluminum Bronze and Stainless Steel (may be subject to minimum order quantity)
- Seat is available in other materials including EPDM (may be subject to minimum order quantity)
- Shorter levers are available for sizes 6" to 12".



WAFER STYLE BUTTERFLY VALVE - GEAR OPERATOR

API Part Number	Size	A	B	A + B	C	ØE	ØK	L	P	Holes (No. x Ød)	B2	G	P2	F2
BVG0200-NPDI-BN	2	5.55	2.80	8.35	1.69	1.97	2.56	1.18	0.354	4 x 0.276	6.06	2.52	10.87	5.91
BVG0250-NPDI-BN	2.5	6.06	2.87	8.94	1.81	1.97	2.56	1.18	0.354	4 x 0.276	6.06	2.52	11.46	5.91
BVG0300-NPDI-BN	3	6.18	3.90	10.08	1.81	1.97	2.56	1.18	0.354	4 x 0.276	6.06	2.52	12.60	5.91
BVG0400-NPDI-BN	4	6.89	4.49	11.38	2.05	2.76	3.54	1.18	0.433	4 x 0.394	6.06	2.52	13.90	5.91
BVG0500-NPDI-BN	5	7.36	5.00	12.36	2.20	2.76	3.54	1.18	0.551	4 x 0.394	6.06	2.52	14.88	5.91
BVG0600-NPDI-BN	6	8.07	5.51	13.58	2.20	2.76	3.54	1.18	0.551	4 x 0.394	6.06	2.52	16.10	5.91
BVG0800-NPDI-BN	8	9.21	6.89	16.10	2.36	4.02	4.92	1.34	0.669	4 x 0.472	8.82	2.91	19.01	11.22
BVG1000-NPDI-BN	10	10.98	8.27	19.25	2.68	4.02	4.92	1.34	0.866	4 x 0.472	8.82	2.91	22.16	11.22
BVG1200-NPDI-BN	12	12.32	9.65	21.97	3.07	4.02	4.92	1.34	0.866	4 x 0.472	8.46	2.95	24.92	11.22
BVG1400-NPDI-BN	14	14.17	10.51	24.69	3.07	4.92	5.91	1.77	0.866	4 x 0.551	8.27	5.04	29.73	11.22
BVG1600-NPDI-BN	16	15.47	12.01	27.48	4.02	5.51	6.89	2.05	1.063	4 x 0.709	10.16	5.04	32.52	11.22
BVG1800-NPDI-BN	18	16.38	12.76	29.13	4.49	5.51	6.89	2.05	1.063	4 x 0.709	10.16	5.04	34.17	11.22
BVG2000-NPDI-BN	20	18.35	14.25	32.60	5.00	5.51	6.89	2.52	1.063	4 x 0.709	11.22	5.04	37.64	15.16
BVG2400-NPDI-BN	24	22.13	17.48	39.61	6.06	6.50	8.27	2.76	1.417	4 x 0.866	11.22	5.51	45.12	15.16
BVG2800-NPDI-BN	28	24.63	20.50	45.13	6.50	10.00	11.81	3.74	2.490	8 x 0.709	14.13	6.22	51.38	16.75



WAFER STYLE BUTTERFLY VALVE - LEVER OPERATOR

API Part Number	Size	A	B	A + B	C	ØE	ØK	L	P	Holes (No. x Ød)	P1	D1	F1
BVL0200-NPDI-BN	2	5.55	2.80	8.35	1.69	1.97	2.56	1.18	0.354	4 x 0.276	9.44	10.47	1.18
BVL0250-NPDI-BN	2.5	6.06	2.87	8.94	1.81	1.97	2.56	1.18	0.354	4 x 0.276	10.09	10.47	1.18
BVL0300-NPDI-BN	3	6.18	3.90	10.08	1.81	1.97	2.56	1.18	0.354	4 x 0.276	11.22	10.47	1.18
BVL0400-NPDI-BN	4	6.89	4.49	11.38	2.05	2.76	3.54	1.18	0.433	4 x 0.394	12.47	10.47	1.18
BVL0500-NPDI-BN	5	7.36	5.00	12.36	2.20	2.76	3.54	1.18	0.551	4 x 0.394	13.62	10.47	1.18
BVL0600-NPDI-BN	6	8.07	5.51	13.58	2.20	2.76	3.54	1.18	0.551	4 x 0.394	14.87	10.47	1.18
BVL0800-NPDI-BN	8	9.21	6.89	16.10	2.36	4.02	4.92	1.34	0.669	4 x 0.472	17.35	14.17	1.34
BVL1000-NPDI-BN	10	10.98	8.27	19.25	2.68	4.02	4.92	1.34	0.866	4 x 0.472	20.19	14.17	1.34
BVL1200-NPDI-BN	12	12.32	9.65	21.97	3.07	4.02	4.92	1.34	0.866	4 x 0.472	24.03	19.69	1.34

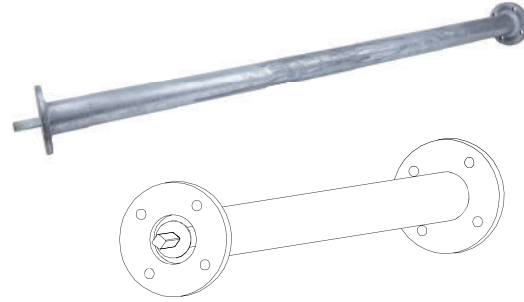
ALL DIMENSIONS ARE IN INCHES UNLESS OTHERWISE STATED.

DC# 0624

# Valve Extensions (For Butterfly Valves)

## FEATURES

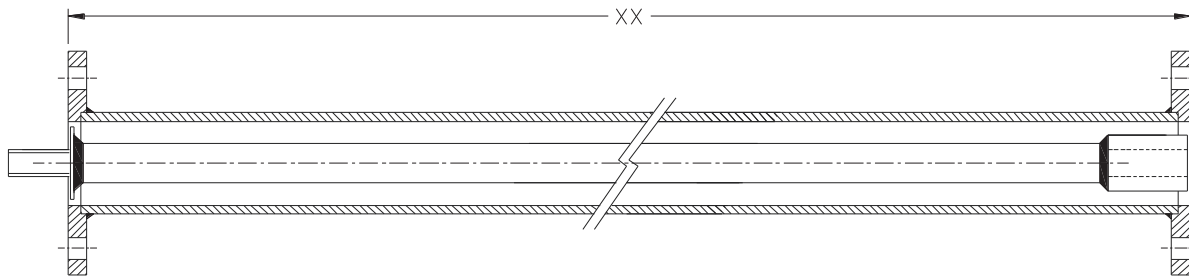
- Valve extensions can be used for underground service or in riser systems to enable easier access for opening and shutting butterfly valves.
- Galvanized steel for excellent corrosion resistance.



ALL DIMENSIONS ARE IN INCHES UNLESS OTHERWISE STATED.

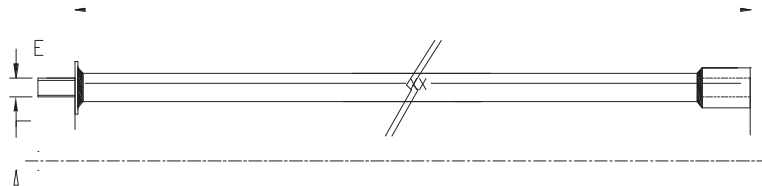
## COMPLETE SET INFORMATION (VE-D):

Complete Set Part Number	Valve/Extension Size	Extension Shaft Part Number	Extension Housing Part Number
VE0400D-XX	4	VEIS4D-XX	VEHS-XX
VE0500D-XX	5	VEIS56D-XX	VEHS-XX
VE0600D-XX	6	VEIS56D-XX	VEHS-XX
VE0800D-XX	8	VEIS8D-XX	VEHL-XX
VE1000D-XX	10	VEIS1012D-XX	VEHL-XX
VE1200D-XX	12	VEIS1012D-XX	VEHL-XX



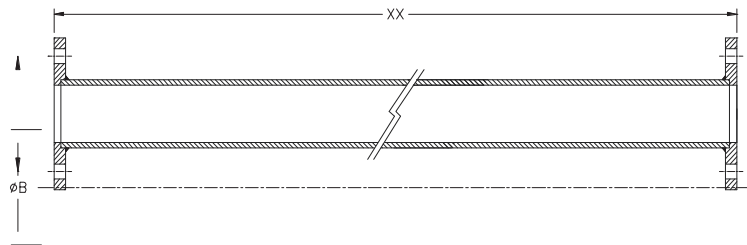
## Shaft Information (VEIS-D)

Housing Part Number	Size	Diagonal Head Size (E)
VEIS4D-XX	4	0.433
VEIS56D-XX	5	0.551
VEIS56D-XX	6	0.551
VEIS8D-XX	8	0.669
VEIS1012D-XX	10	0.866
VEIS1012D-XX	12	0.866



## Housing Information (VEH)

Housing Part Number	Size	Bolt Circle Diameter (Øb)
VEHS-XX	4	2.76
VEHS-XX	5	2.76
VEHS-XX	6	2.76
VEHL-XX	8	4.02
VEHL-XX	10	4.02
VEHL-XX	12	4.02

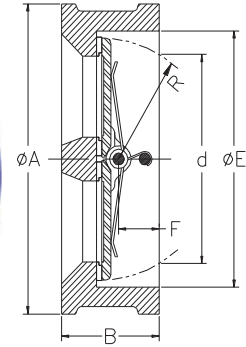


Note:  
a. "XX" = Length of Valve Extension (36", 48", or 72").  
b. Valve extensions are for BVL and BVG product lines.

# Double Door Check Valves

## FEATURES

- Small, lightweight, and easy to maintain.
- Two torsion springs close valve plates quickly and automatically.
- Quick spring action prevents back-flow, eliminates water hammering, and provides minimal head loss.
- Valve can be installed vertically or horizontally.
- Applications include HVAC, compressed air; Water supply and discharge; Irrigation and reclaim water; Process water.



ALL DIMENSIONS ARE IN INCHES UNLESS OTHERWISE STATED.

## DIMENSIONS

API Part Number	Size	B	ØE	ØA	Approximate Weight lbs
CV0200-XXXX-EP	2	1.69	2.56	4.02	3.3
CV0250-XXXX-EP	2.5	1.81	3.15	4.76	5.3
CV0300-XXXX-EP	3	2.52	3.70	5.24	7.9
CV0400-XXXX-EP	4	2.52	4.61	6.73	12.6
CV0500-XXXX-EP	5	2.76	5.71	7.60	16.1
CV0600-XXXX-EP	6	2.99	6.73	8.62	19.8
CV0800-XXXX-EP	8	3.50	8.82	10.87	37.5
CV1000-XXXX-EP	10	4.49	10.43	13.23	57.3
CV1200-XXXX-EP	12	4.49	12.20	15.98	92.6
CV1400-XXXX-EP	14	5.00	14.17	17.64	121.3
CV1600-XXXX-EP	16	5.51	16.14	20.12	165.3
CV1800-XXXX-EP	18	5.98	17.87	21.50	225.0
CV2000-XXXX-EP	20	5.98	19.88	23.74	236.0
CV2400-XXXX-EP	24	7.01	24.61	28.11	365.0

## PART NUMBER STRUCTURE

Part Number Section	Options
Type	CV = Check Valve
Size	XXXX = Size in inches going out 2 decimal places
Disc Material *Denoted with "XXXX"	NPDI = Nickel Plated Ductile Iron 304 = 304 Stainless Steel
Seat Material	EP = EPDM

## OPERATING CONDITIONS

Nominal Size	2 - 18		20 - 24	
	Operating Pressure	200 psi		150 psi
Test Pressure	Shell	300 psi	225 psi	
	Seat	220 psi	168 psi	
Working Temp.	EPDM Seat	10° - 250° F	10° - 250° F	

Notes:

- Not for use in Oil & Gas industries.
- Valve seat is available in other materials including Neoprene and NBR (may be subject to minimum order quantity)

## MATERIALS

Part	Material
Body	Cast Iron - ASTM A126 Cl. B
Disc	Nickel Plated Ductile Iron or 304 Stainless Steel
Hinge Pin	Stainless Steel
Stop Pin	Stainless Steel
Spring	Stainless Steel
Seat	EPDM
Shaft end Plug	Mild/Carbon Steel
Finish	Epoxy Coated - Blue

## REPLACEMENT SPRING KITS

API Part Number	DESCRIPTION
CVK0400	4" KIT (1 SHAFT; 2 SPRINGS)
CVK0600	6" KIT (1 SHAFT; 2 SPRINGS)
CVK0800	8" KIT (1 SHAFT; 2 SPRINGS)
CVK1000	10" KIT (1 SHAFT; 2 SPRINGS)
CVK1200	12" KIT (1 SHAFT; 2 SPRINGS)
CVK1400	14" KIT (1 SHAFT; 2 SPRINGS)
CVK1600	16" KIT (1 SHAFT; 2 SPRINGS)

DC# 0624